

Origami Halloween Bag

FRANKENSTEIN



1 8"x8" (20x20cm)

Fold paper in half (white side up if using single sided paper)

2

Fold in half again in the opposite direction

3

Fold diagonally

4

Fold diagonally opposite corners

5

Fold in sides to make a triangle double base

6

Fold one corner down about 2"

7

Also fold opposite side's corner

8

Repeat for other 2 corners

9

Rotate so the point is down

10

Fold tip in to meet the edge

11

Fold bottom point up

12

Tuck bottom into the open space as shown

13

Repeat 14-16 on opposite side. Flip over and repeat.

14

Bring the left and right sides together on both sides.

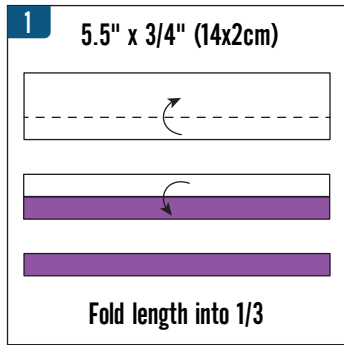
15

Now the folds are hidden and the clean sides are facing.

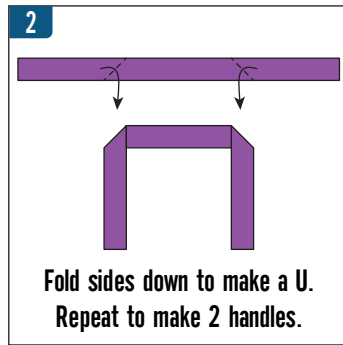
16

Fold bottom tip up. Turn over and set aside.

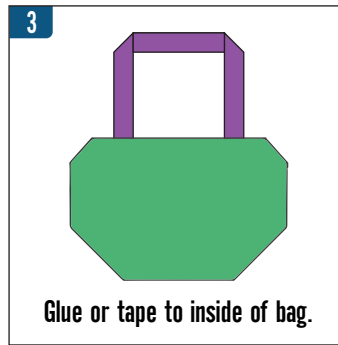
Make the handles and decorate the face



Follow this if using origami paper.



For construction paper, cut 2 strips 5.5" x 1/4" and start at Step 2.



How to open the bag

